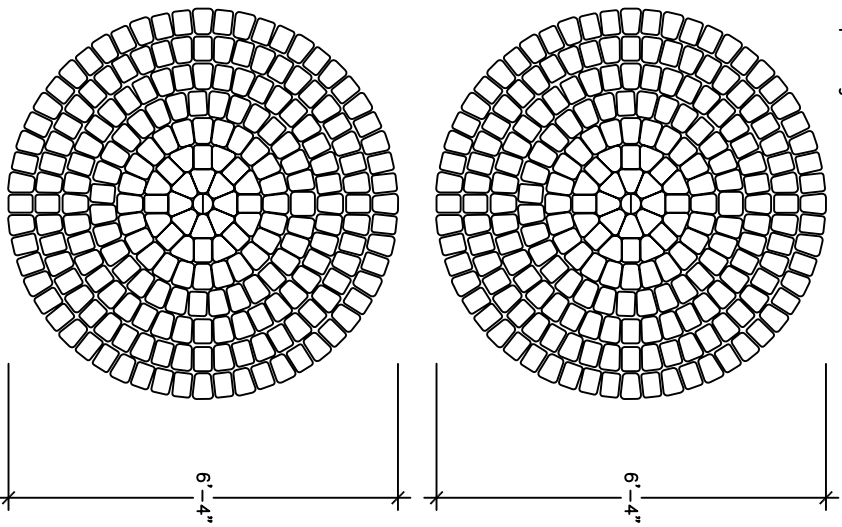


These 2 complete circles were created by using 1 circle bundle of Olde Greenwich Cobble Circles. Please note that dimensions can vary slightly depending on the installation.

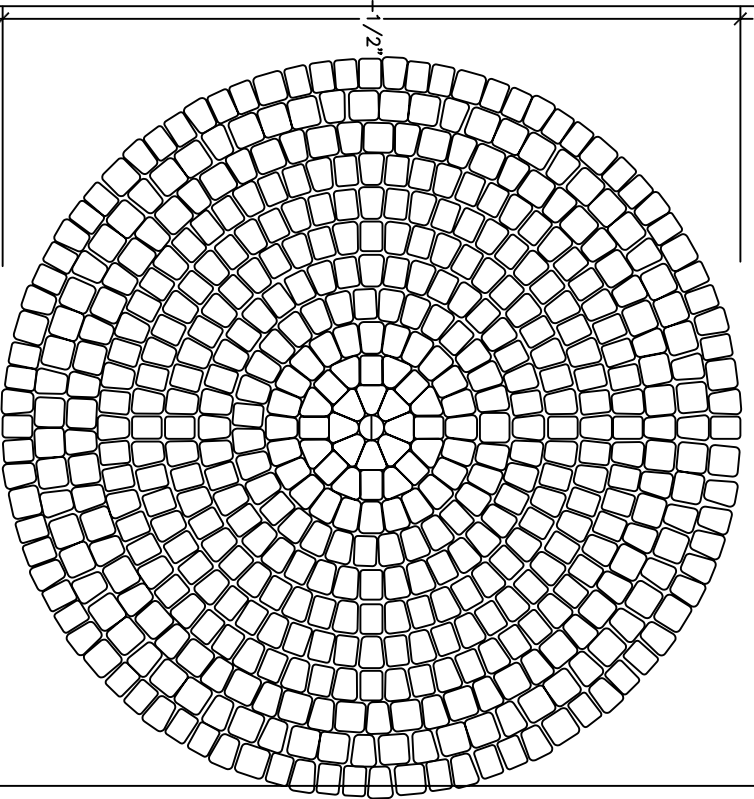


CONSTRUCTING TWO CIRCLES

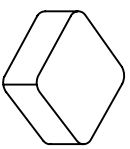
Small Rect.	ROW 1	ROW 2	ROW 3	ROW 4	ROW 5	ROW 6	ROW 7
3/4	8	7	16	24	34		
Square		1					
Half Rect.							
Small Wedge			24	24	24	24	24
Wedge	8	8					

CONSTRUCTING ONE CIRCLE

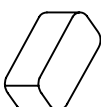
Small Rect.	ROW 1	ROW 2	ROW 3	ROW 4	ROW 5	ROW 6	ROW 7	ROW 8	ROW 9	ROW 10	ROW 11
3/4	8	7	16	24	34	42					48
Square		1									31
Half Rect.											55
Small Wedge			24	24	24	24	24	23	32	28	24
Wedge	8	8									



SYSTEM COMPONENTS



SQUARE
4.63" X 2.36"
12cm X 12cm X 6cm



SMALL RECTANGLE
4.63" X 2.36" X 2.36"
6cm X 11.9cm X 6cm



3/4 STONE
4.63" X 3.54" X 2.36"
7.6cm X 11.9cm X 6cm



REGULAR TAPER
4.72" X 4.38" X 2.36"
12.8cm X 12cm X 6cm



TIGHT TAPER
4.06" X 4.63" X 2.36"
10.6 cm X 12cm X 6cm



HALF CENTRE STONE
4.63" DIAMETER
10cm DIAMETER

OLDE GREENWICH
COBBLE™
DESIGN BLOCK

OGCDES8.DWG

@ Unilock Ltd., 2005

UNILOCK®
1 800 • UNILOCK
TORONTO • NEW YORK
CHICAGO • DETROIT • BUFFALO
CLEVELAND • BOSTON

This design is intended to assist the designer in providing blocks of circles, fans, and curved patterns for installation. The design is not intended to be used as a final design. The design is intended to assist the designer in providing blocks of circles, fans, and curved patterns for installation. The design is not intended to be used as a final design. The design is intended to assist the designer in providing blocks of circles, fans, and curved patterns for installation. The design is not intended to be used as a final design.

Unilock patterns can be combined with circle patterns by matching the finished pattern around the curved or circular area. Laying patterns are available on the CD rom or at www.unilock.com.